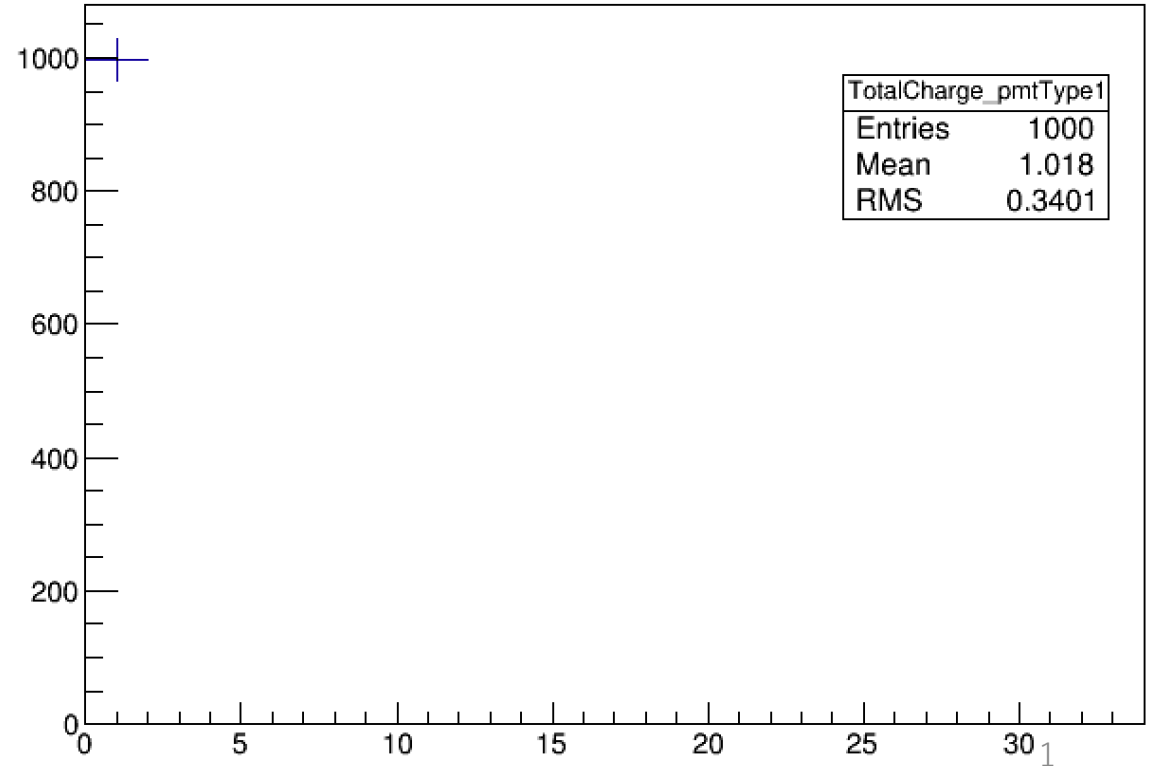
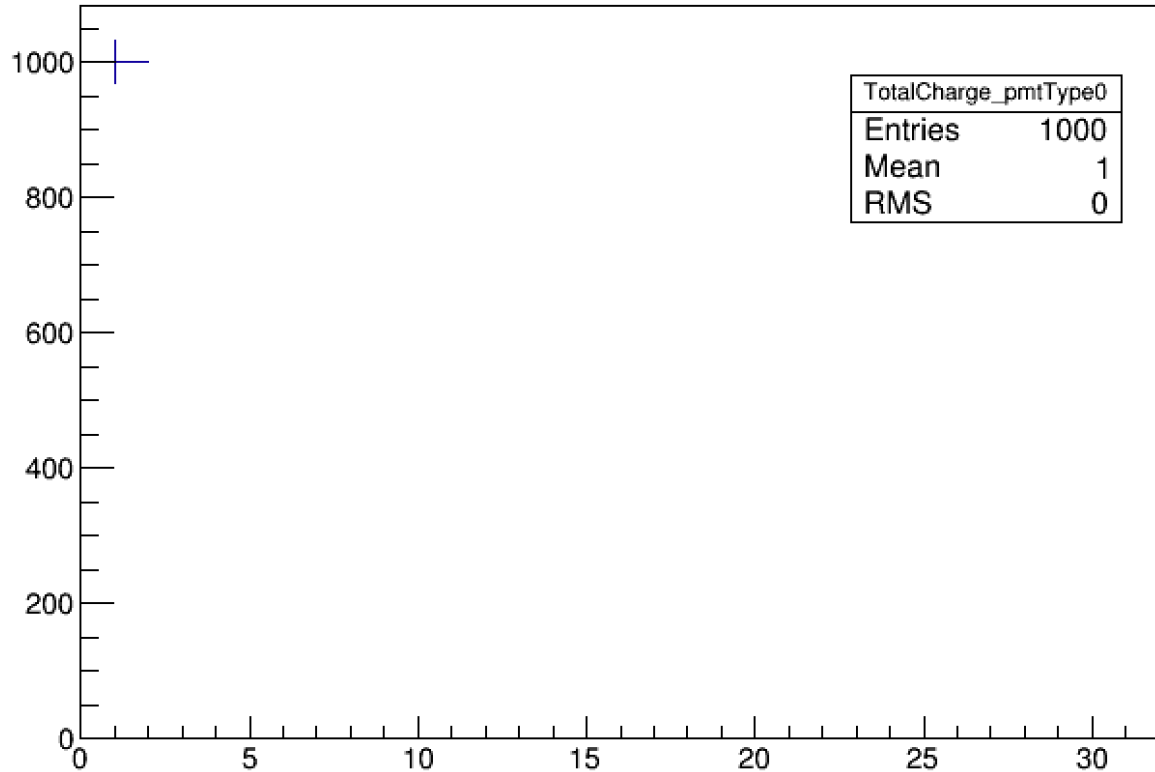


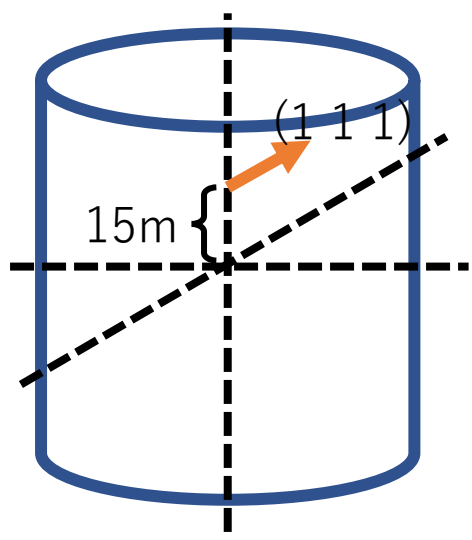
with a reflector
 plotDigitized True
 Took only triggered events (Mode 0)
 Setdarkwindow 0

```

193 /mygen/generator laser
194 /gps/particle opticalphoton
195 /gps/energy 2.58 eV
196 /gps/direction 1 1 1
197 /gps/position 0 0 15 m
198 /gps/number 1000
199 # /gps/ang/type iso
200 # /gps/ang/mintheta 0 deg
201 # /gps/ang/maxtheta 180 deg
202 # /gps/ang/minphi 0 deg
203 # /gps/ang/maxphi 360 deg
204 /gps/verbose 0
  
```

Total Charge

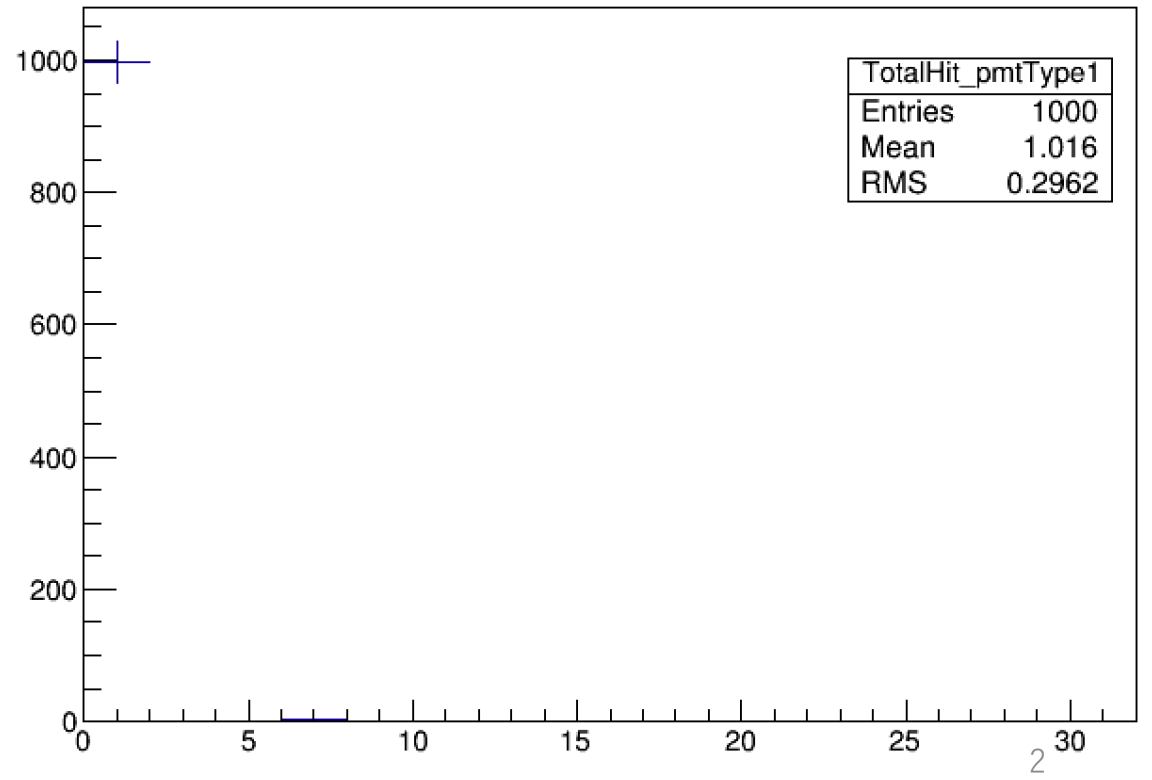
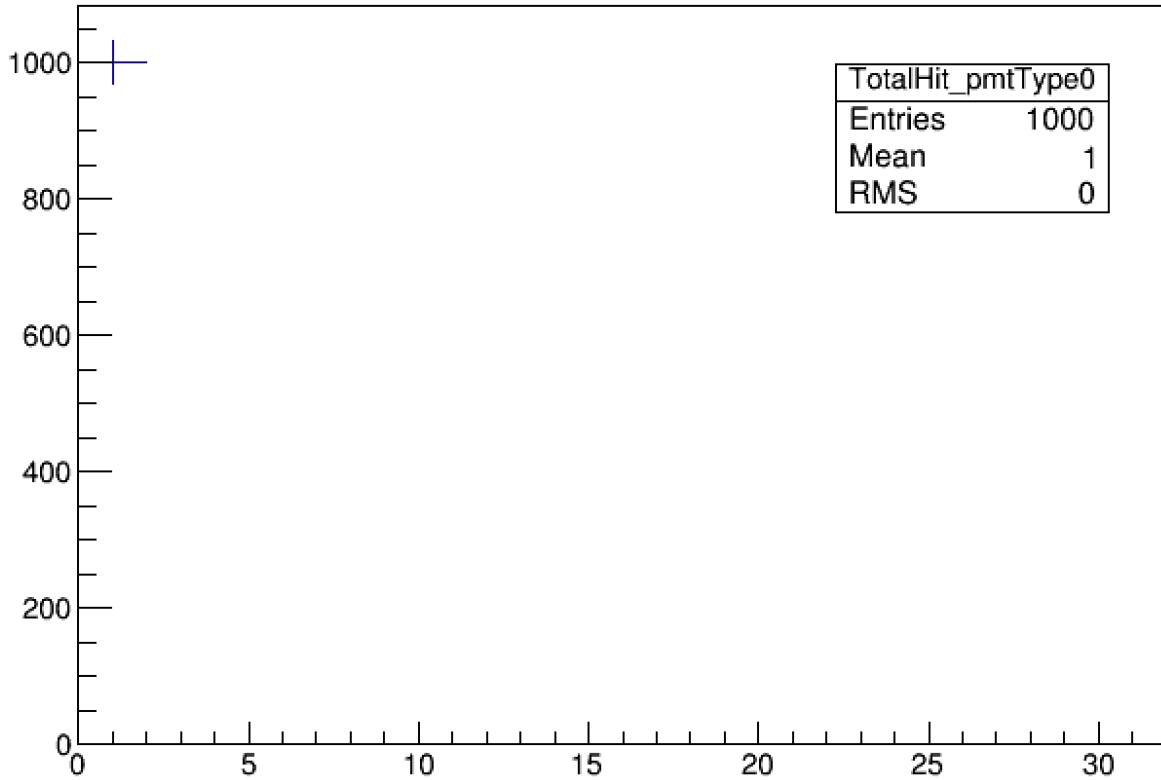


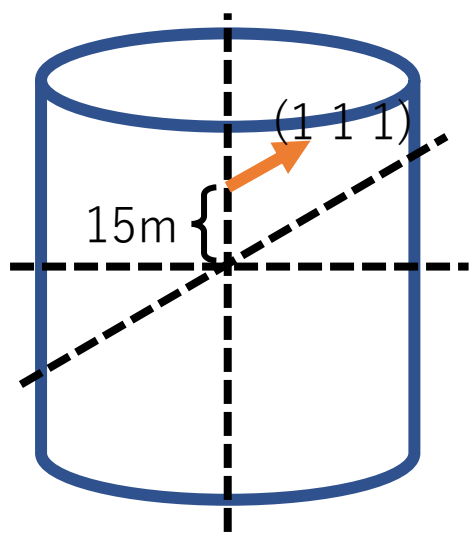


with a reflector
 plotDigitized True
 Took only triggered events (Mode 0)
 Setdarkwindow 0

```
193 /mygen/generator laser
194 /gps/particle opticalphoton
195 /gps/energy 2.58 eV
196 /gps/direction 1 1 1
197 /gps/position 0 0 15 m
198 /gps/number 1000
199 # /gps/ang/type iso
200 # /gps/ang/mintheta 0 deg
201 # /gps/ang/maxtheta 180 deg
202 # /gps/ang/minphi 0 deg
203 # /gps/ang/maxphi 360 deg
204 /gps/verbose 0
```

Total Hit



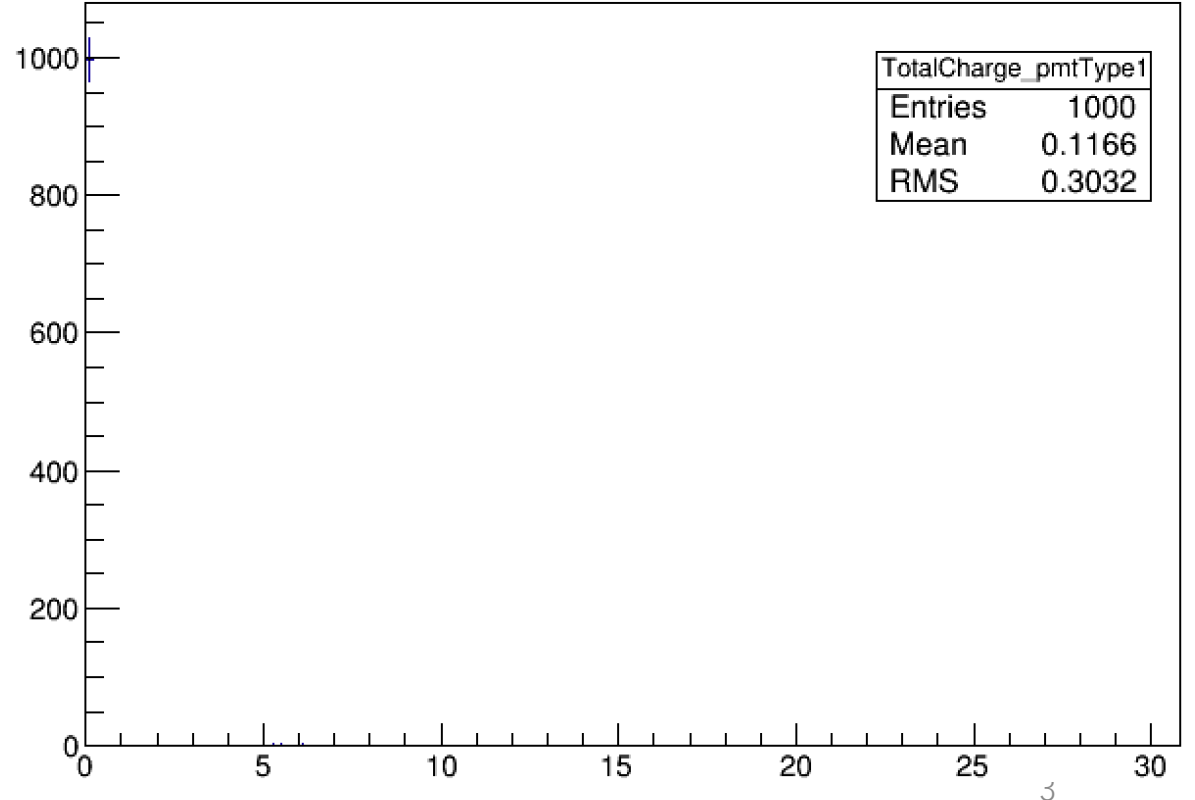
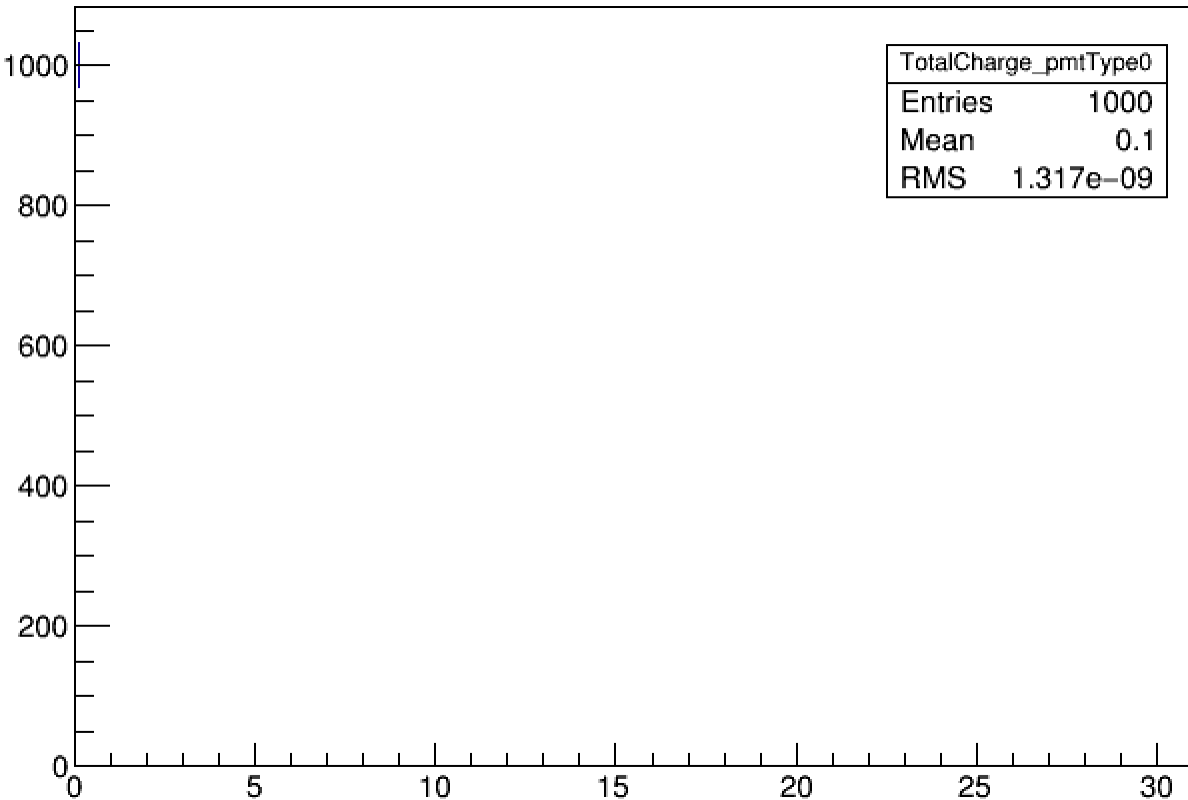


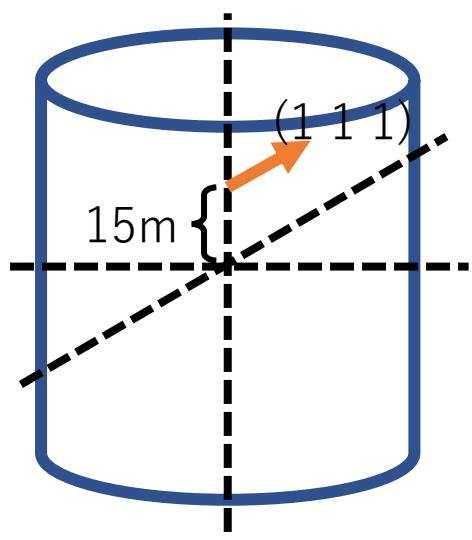
without a reflector
 plotDigitized True
 Took only triggered events (Mode 0)
 Setdarkwindow 0

```

193 /mygen/generator laser
194 /gps/particle opticalphoton
195 /gps/energy 2.58 eV
196 /gps/direction 1 1 1
197 /gps/position 0 0 15 m
198 /gps/number 1000
199 # /gps/ang/type iso
200 # /gps/ang/mintheta 0 deg
201 # /gps/ang/maxtheta 180 deg
202 # /gps/ang/minphi 0 deg
203 # /gps/ang/maxphi 360 deg
204 /gps/verbose 0
  
```

Total Charge

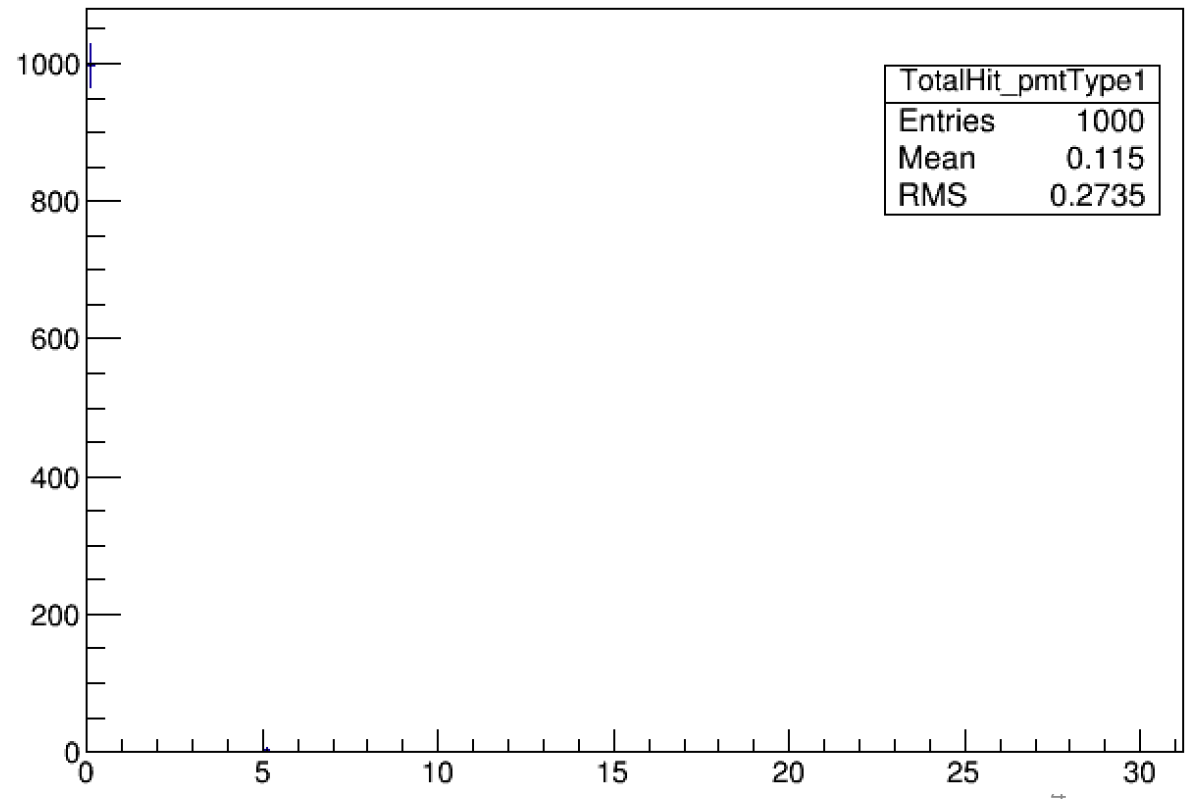
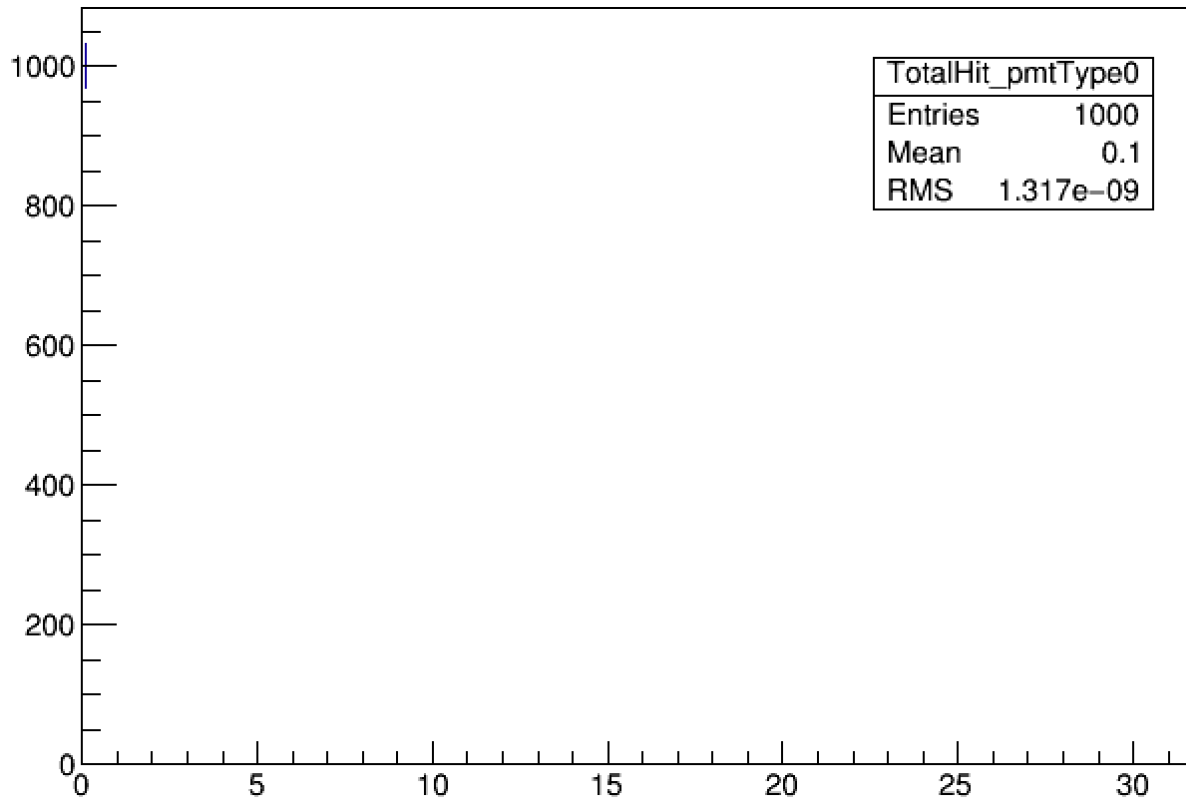


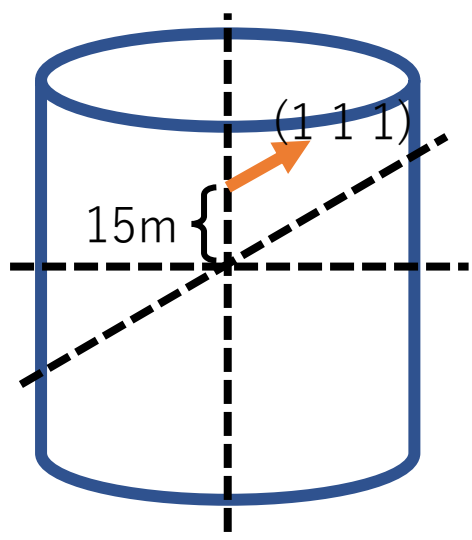


without a reflector
 plotDigitized True
 Took only triggered events (Mode 0)
 Setdarkwindow 0

```
193 /mygen/generator laser
194 /gps/particle opticalphoton
195 /gps/energy 2.58 eV
196 /gps/direction 1 1 1
197 /gps/position 0 0 15 m
198 /gps/number 1000
199 # /gps/ang/type iso
200 # /gps/ang/mintheta 0 deg
201 # /gps/ang/maxtheta 180 deg
202 # /gps/ang/minphi 0 deg
203 # /gps/ang/maxphi 360 deg
204 /gps/verbose 0
```

Total Hit



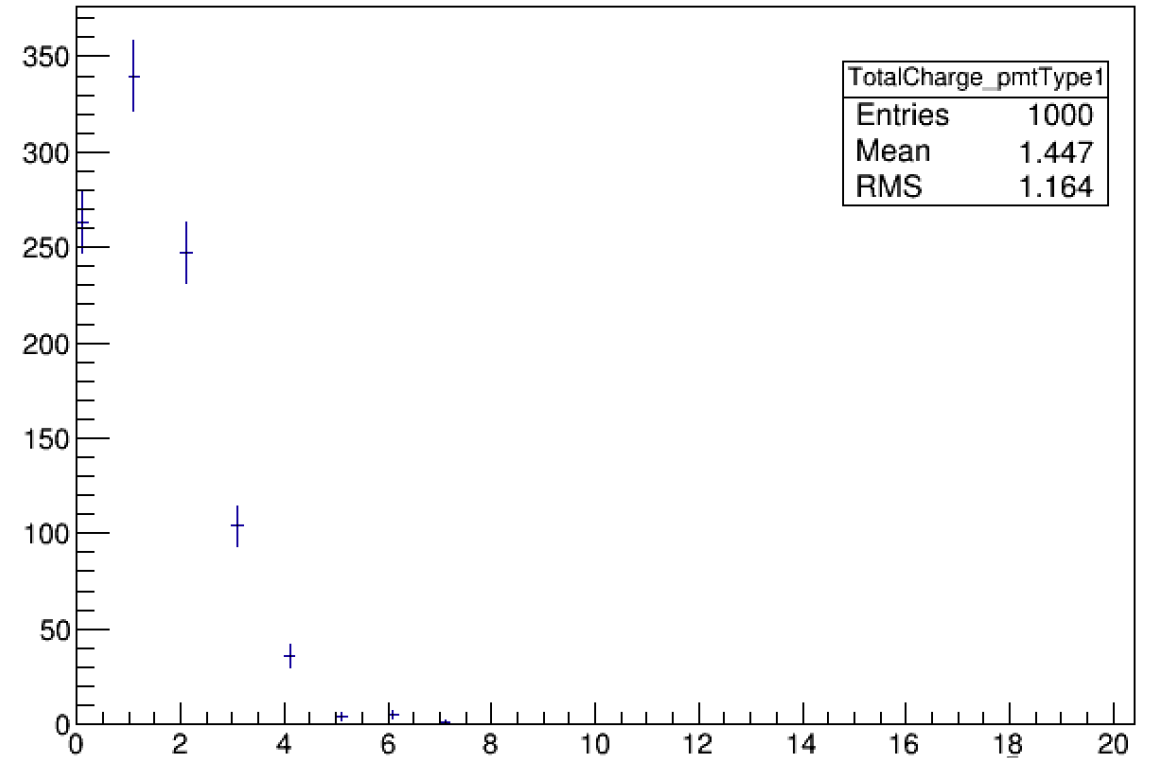
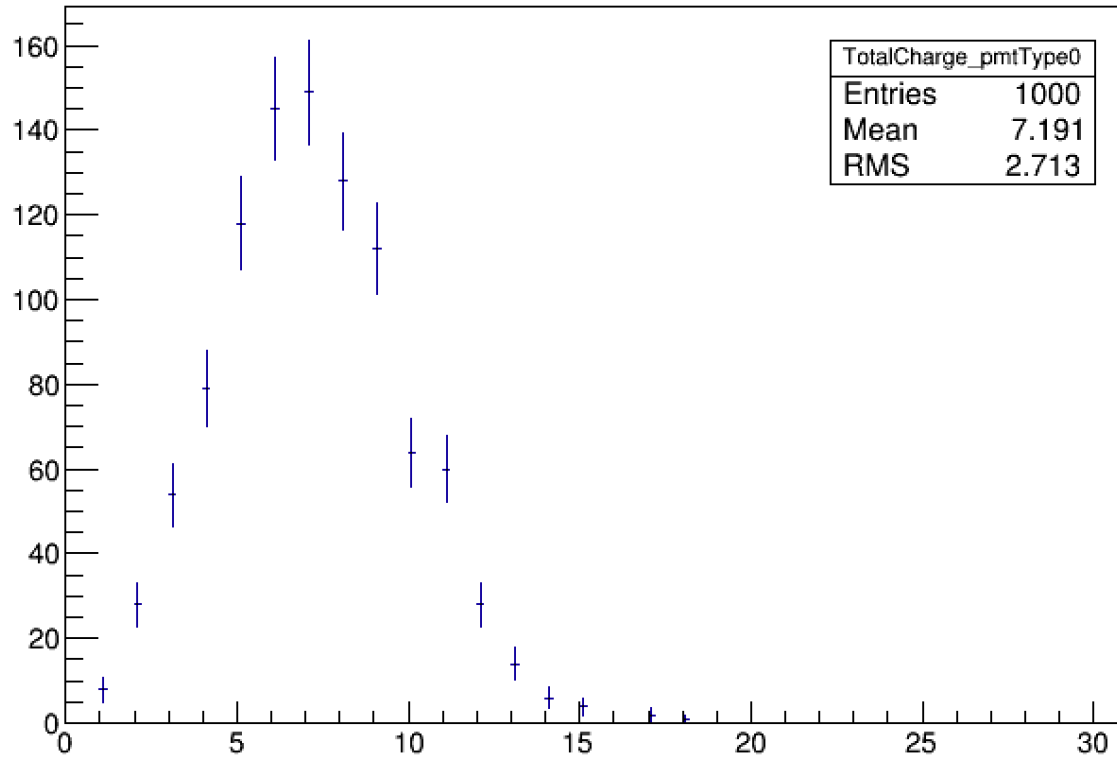


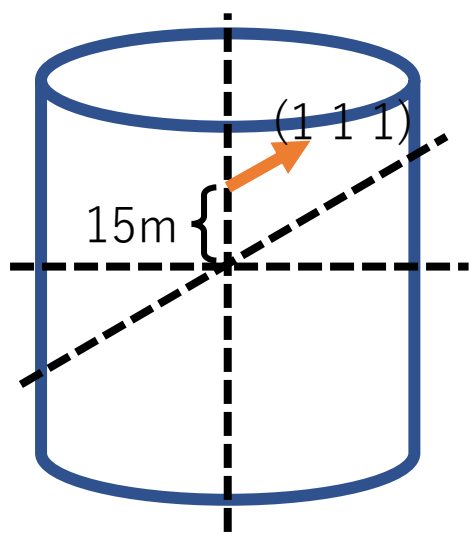
with a reflector
 plotDigitized false

Took only triggered events (Mode 0)
 Setdarkwindow 0

```
193 /mygen/generator laser
194 /gps/particle opticalphoton
195 /gps/energy 2.58 eV
196 /gps/direction 1 1 1
197 /gps/position 0 0 15 m
198 /gps/number 1000
199 # /gps/ang/type iso
200 # /gps/ang/mintheta 0 deg
201 # /gps/ang/maxtheta 180 deg
202 # /gps/ang/minphi 0 deg
203 # /gps/ang/maxphi 360 deg
204 /gps/verbose 0
```

Total Charge





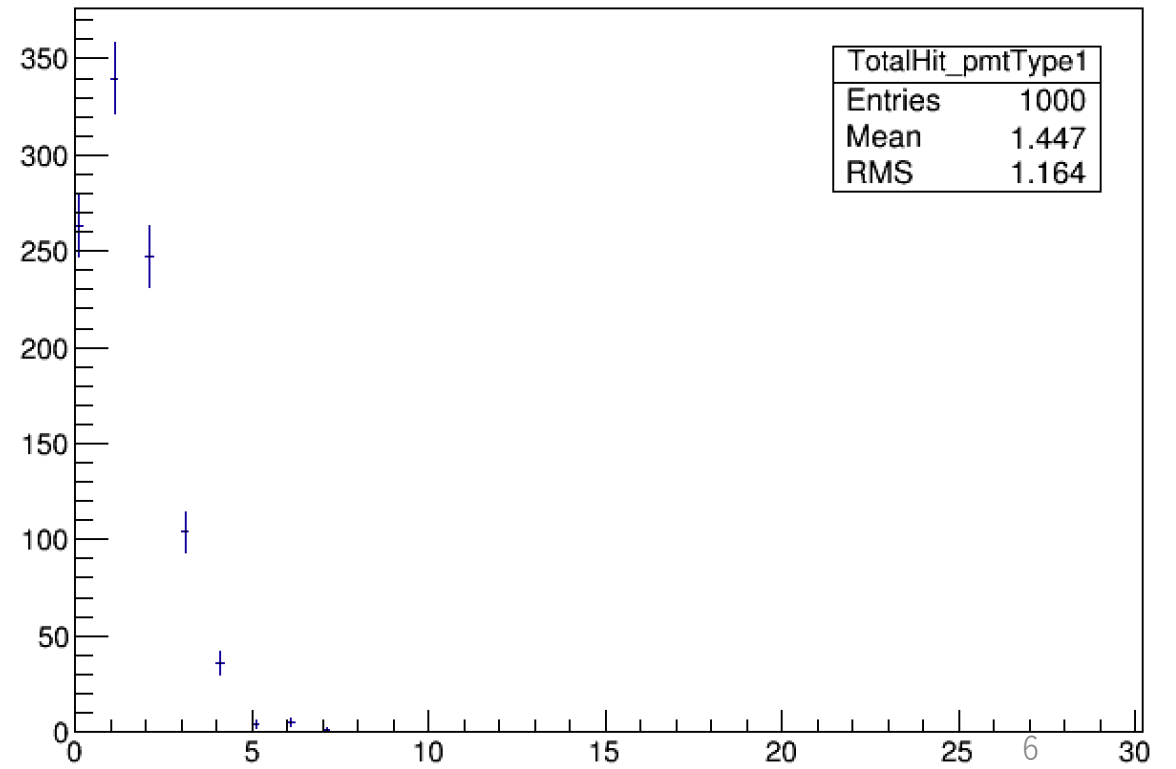
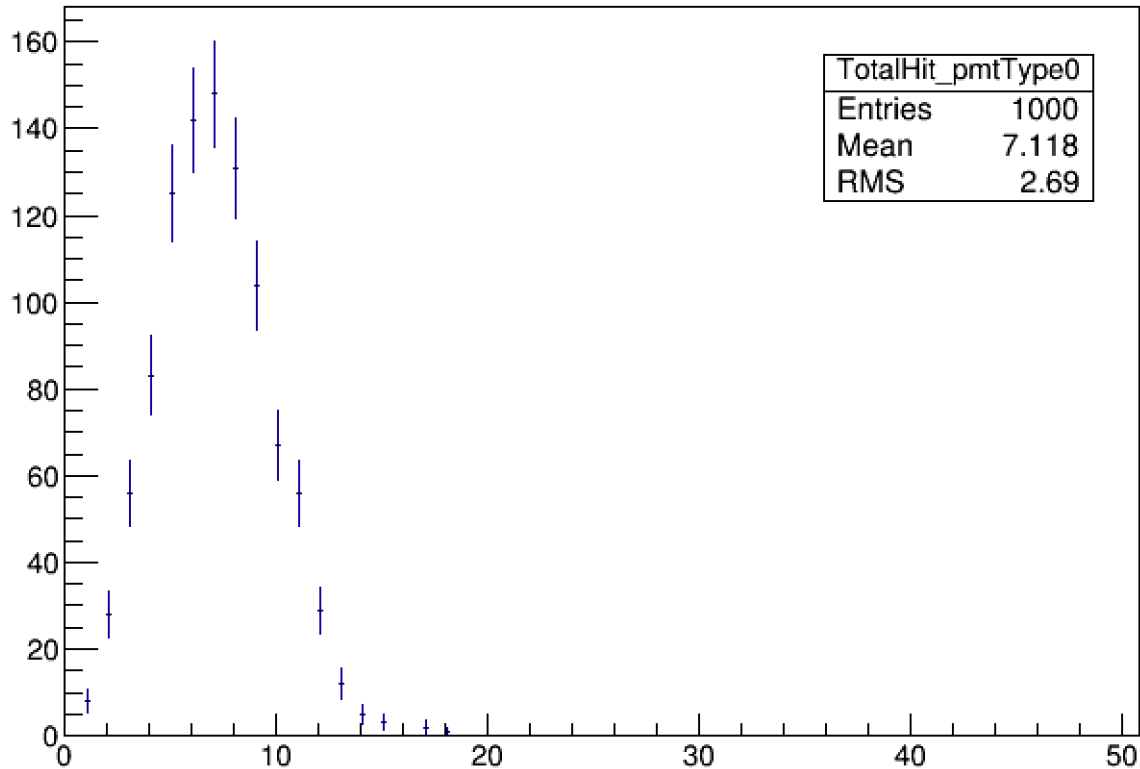
with a reflector
 plotDigitized false

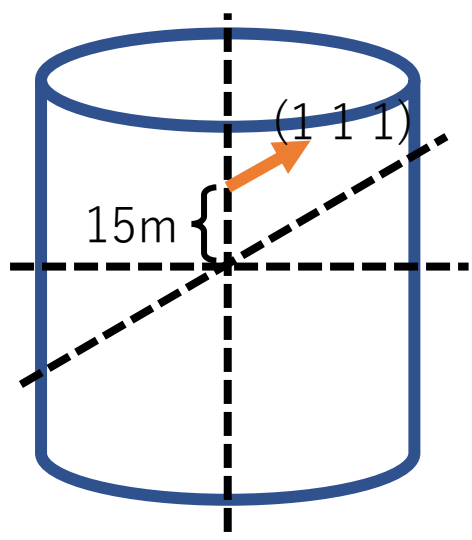
Took only triggered events (Mode 0)
 Setdarkwindow 0

```

193 /mygen/generator laser
194 /gps/particle opticalphoton
195 /gps/energy 2.58 eV
196 /gps/direction 1 1 1
197 /gps/position 0 0 15 m
198 /gps/number 1000
199 # /gps/ang/type iso
200 # /gps/ang/mintheta 0 deg
201 # /gps/ang/maxtheta 180 deg
202 # /gps/ang/minphi 0 deg
203 # /gps/ang/maxphi 360 deg
204 /gps/verbose 0
  
```

Total Hit



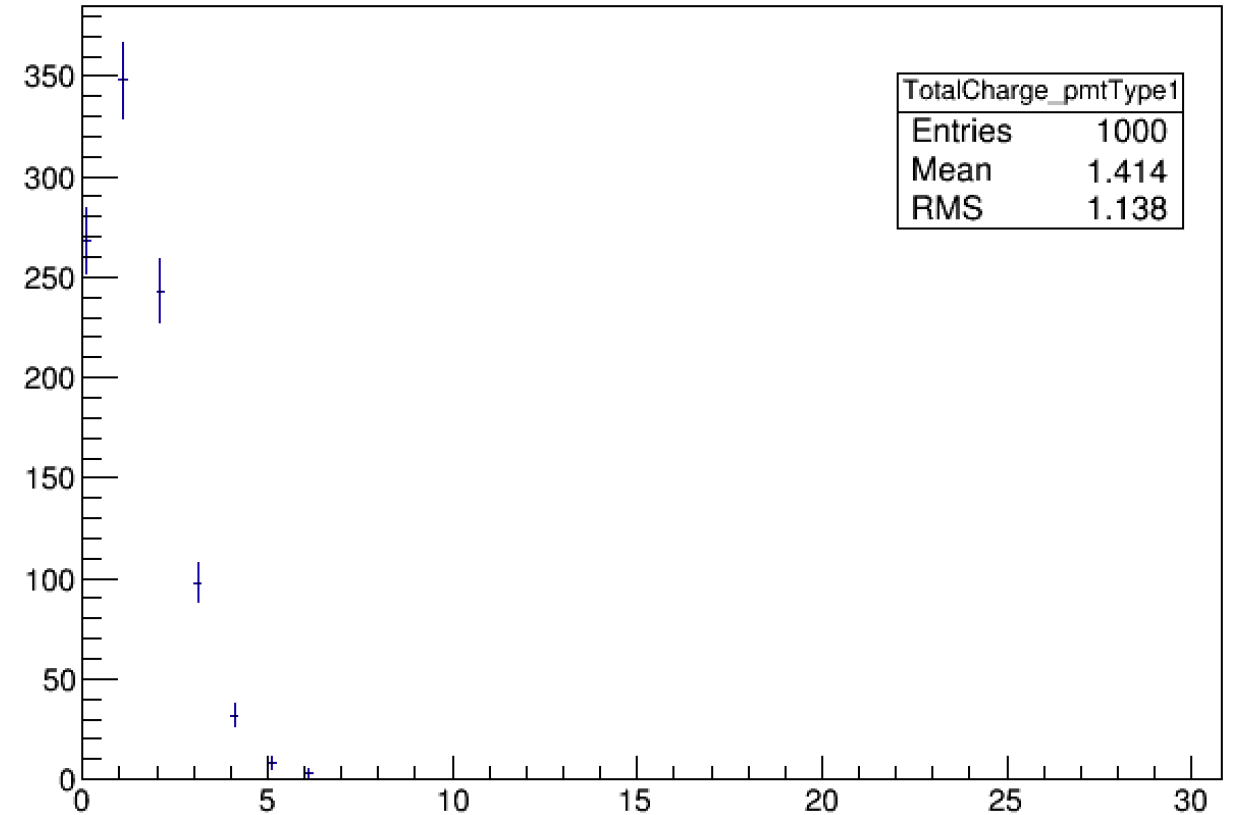
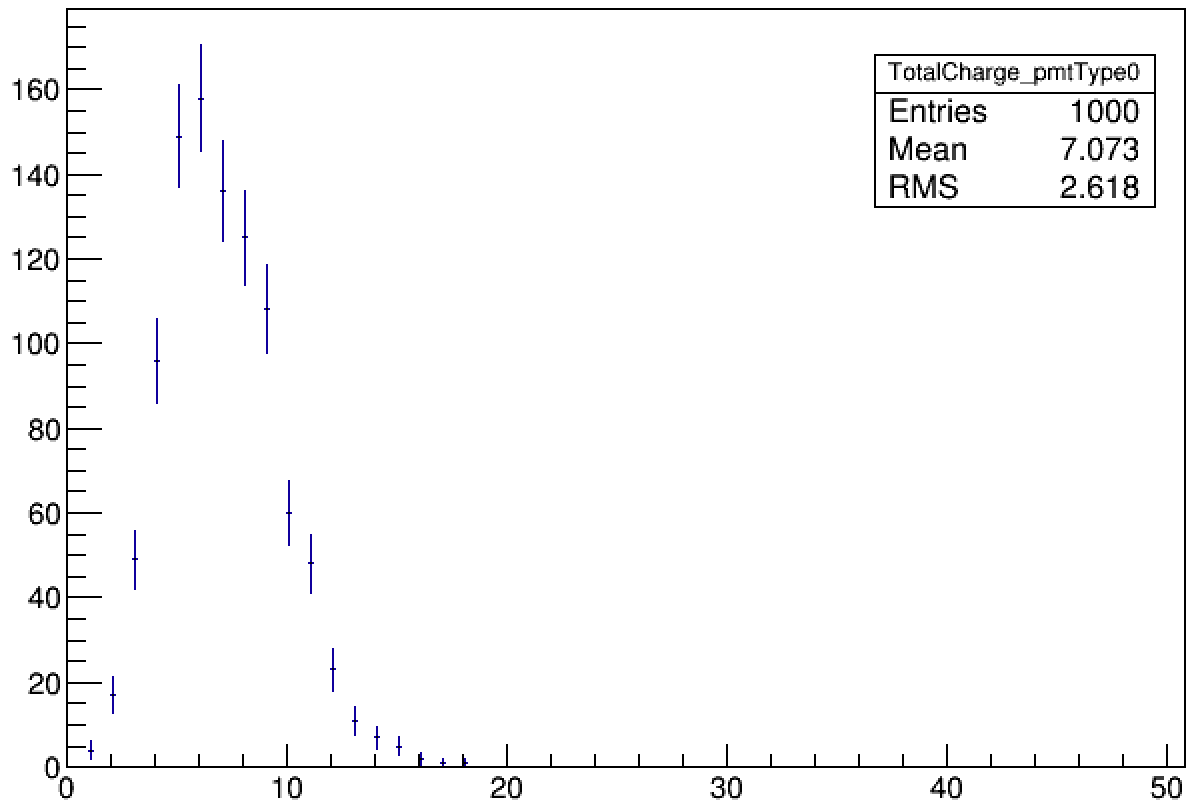


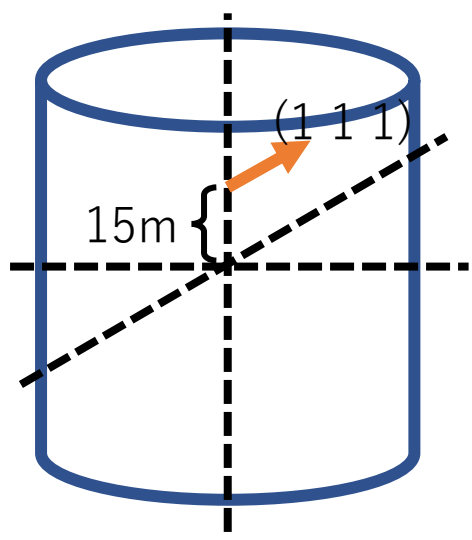
without a reflector
 plotDigitized false

Took only triggered events (Mode 0)
 Setdarkwindow 0

```
193 /mygen/generator laser
194 /gps/particle opticalphoton
195 /gps/energy 2.58 eV
196 /gps/direction 1 1 1
197 /gps/position 0 0 15 m
198 /gps/number 1000
199 # /gps/ang/type iso
200 # /gps/ang/mintheta 0 deg
201 # /gps/ang/maxtheta 180 deg
202 # /gps/ang/minphi 0 deg
203 # /gps/ang/maxphi 360 deg
204 /gps/verbose 0
```

Total Charge





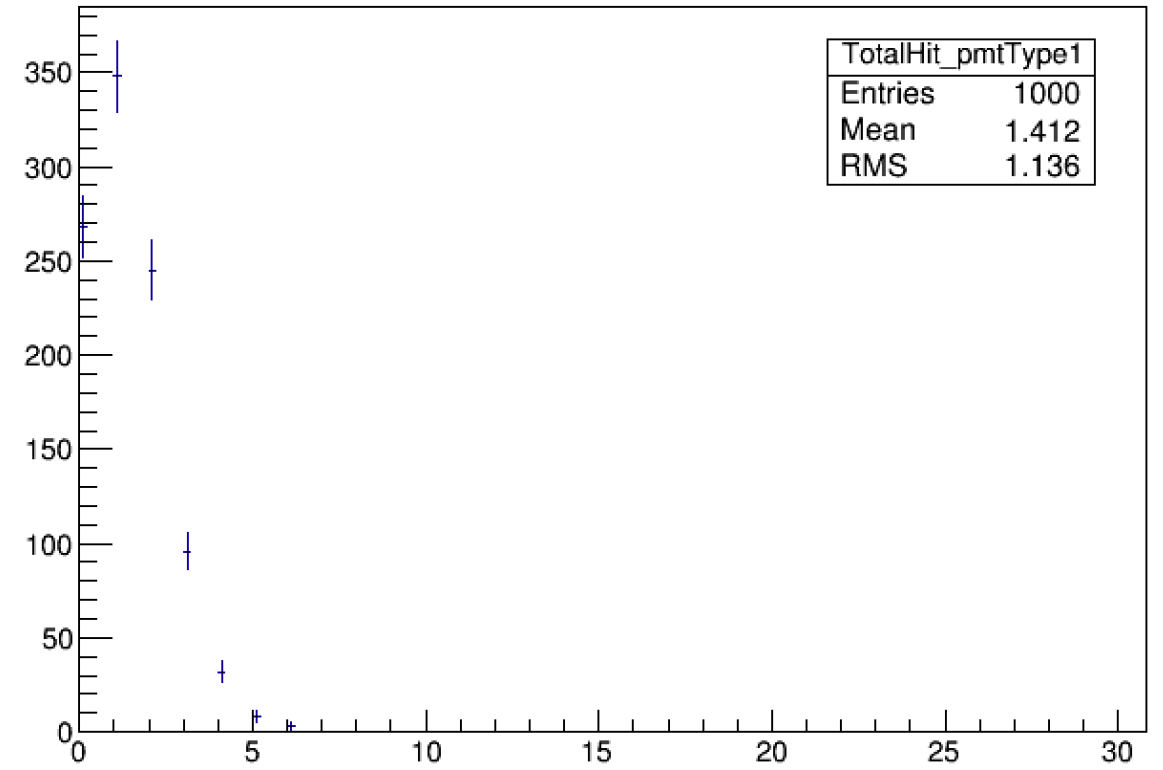
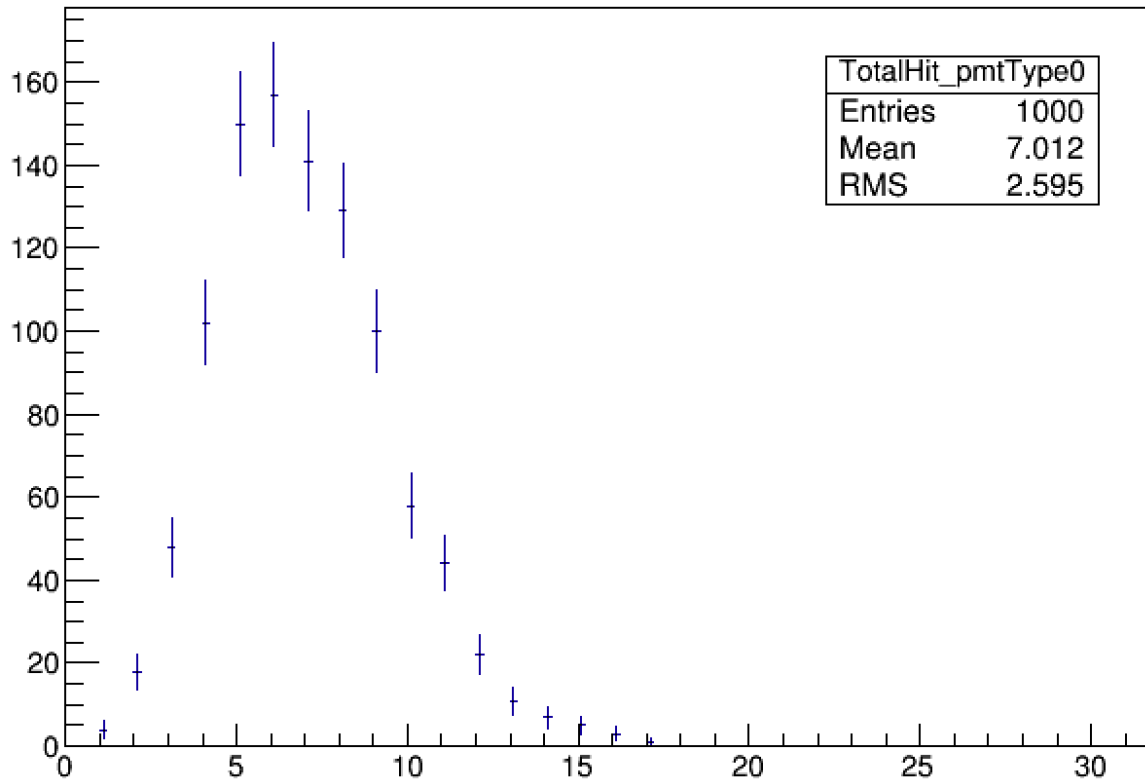
without a reflector
 plotDigitized false

Took only triggered events (Mode 0)
 Setdarkwindow 0

```

193 /mygen/generator laser
194 /gps/particle opticalphoton
195 /gps/energy 2.58 eV
196 /gps/direction 1 1 1
197 /gps/position 0 0 15 m
198 /gps/number 1000
199 # /gps/ang/type iso
200 # /gps/ang/mintheta 0 deg
201 # /gps/ang/maxtheta 180 deg
202 # /gps/ang/minphi 0 deg
203 # /gps/ang/maxphi 360 deg
204 /gps/verbose 0
  
```

Total Hit



Focusing on mPMT, the mean of

Total Charge

	with a reflector	without a reflector
true	1.018	0.1166
false	1.447	1.414

Total Hit

	with a reflector	without a reflector
true	1.016	0.115
false	1.447	1.412